

SST Pizza Disc Feeder

Overview

The Stainless Steel corrugated circle feeder easily integrates to pizza packaging equipment at speeds up to 130 pies per minute.

Streamfeeder's SST Pizza Disc Feeder is wipe-down capable, and when mounted to our adjustable stand with casters, can easily be rolled away from the line when full line wash down is being performed.

Standard Features

- Repositionable feed belts
- Independent side guide positioning
- Extended guide rails into the discharge to keep products traveling straight
- Two independent separators that can be easily repositioned throughout the width of the feeder
- Tool-less discharge angle adjustment
- Self-adjusting discharge hold down
- Variable speed control
- Batch counting capabilities
- Miss-detect fault output
- Timeout stop
- High performance photo sensors
- Dry contact host interface

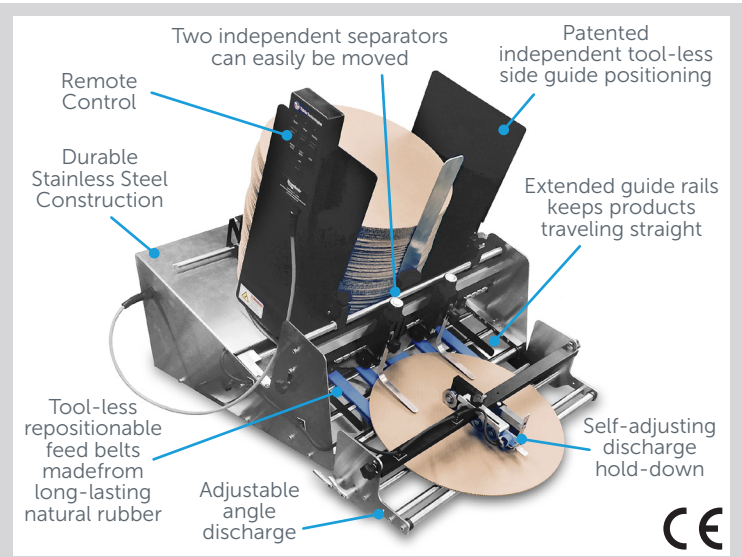
Optional Features

- Adjustable mounting stand

Applications

- Bakery Packaging
- Flow Wrapping
- Pizza Packaging
- Ready-to-Eat Food Packaging
- Shrink Wrapping

Contact our experienced sales team today for a comprehensive review of your application/product and see how our SST Pizza Disc Feeder can benefit your company.



| Specifications | |
|---|--------------------------------|
| Maximum Product Size | 20" diameter (505 mm) |
| Minimum Product Size | 6" diameter (152 mm) |
| Product Thickness | .003" to 1.0" (.07 to 25.4 mm) |
| Belt Speed | 4000 in/min (102 m/min) |
| Batch Size | 1-99 |
| Utilities | 115/230vac, 50/60Hz, 5A |
| Weight | 99 lbs. (45 kg) |
| Warranty | One year limited |
| Other sizes and thickness capabilities available. | |

AMBEC | CBI | Fleetwood | Goldco | Nigrelli | Streamfeeder | SWF | Thiele | Tisma

