

AutoStream Bulk Auto Loader

Overview

Increase productivity and maximize profits with Streamfeeder's AutoStream Bulk Auto Loader.

With quick setups, ease of use and a large product loading area, AutoStream provides product for extended periods of run time for high-speed batch counting and other large run applications.

Reduce labor costs by adding autoloaders to multiple feeder installations, such as collation or distribution fulfillment lines, allowing a single operator to attend to several feeders at the same time.

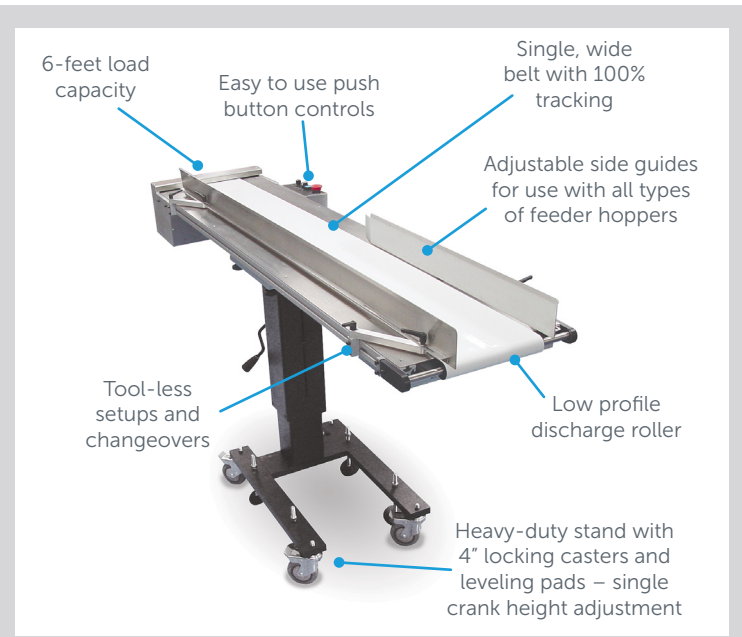
Applications

- Batch Counting
- Collators
- Inkjet Systems
- Inserters
- Tip-on Systems

Products

- Backer Board
- Booklets
- Brochures
- Cardstock
- Collapsed Cartons
- Envelopes
- Folded Documents
- Folders
- Manuals
- Post Cards
- Sheet Paper

Contact our experienced sales team today for a comprehensive review of your application/product and see how our AutoStream Bulk Auto Loader can benefit your company.



Specifications	
Maximum Product Size	12" wide x 12" long (305 x 305 mm)
Minimum Product Size	3.75" wide x 5" long (95 x 127 mm)
Min/Max Product Thickness	.003" to 1.0" (.07 to 25.4 mm)
Conveyor Speed	0-300 in/min (46 m/min)
Utilities	115vac, 60Hz, 3A
Discharge Height	45-58 in (48-147 cm)
Warranty	One year limited
Other sizes and thickness capabilities available.	

AMBEC | CBI | Fleetwood | Goldco | Nigrelli | Streamfeeder | SWF | Thiele | Tisma

