

Manual Lid Feed | V-Tray

BW Integrated Systems' low level v-tray for bag unloading with lid conveying is the solution for your high level seamer lid feeds. With a custom lid conveying system it can deliver ends to your existing v-tray or directly to your seamer. Whether you are filling at 100 or 600 cans per minute, this is an economical and reliable lid feed system that can be configured and installed either close to your seamer or a short distance away. This manual lid feed allows operators to conveniently and safely handle bags at floor level, not having to work from a rolling platform or ladder. Additional end storage capacities are also available to increase the flexibility of the operator.

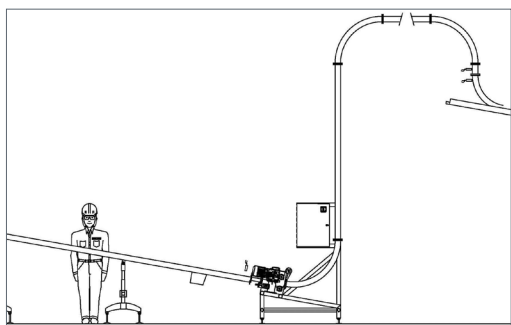
Features:

- 3 - 5 bag storage capacity available
- Stainless steel construction
- NEMA 4 electric vibrator
- Low level end detection
- Discharge end conveyor with gap control unit at seamer
- Custom lid feed conveying to meet your specific needs
- Hardwired controls
- NEMA 4X stainless steel control enclosure

Power Requirements:

- 480VAC, 60HZ, 3 Phase
- 5FLA

Contact our experienced sales teams today for a comprehensive review of your application(s) and to see how our Manual Lid Feed Systems can benefit your company.



Manual Lid Feed | V-Tray



Manual Lid Feed | V-Tray in production

For our European office, contact:
Plumtree Farm Industrial Estate,
Bircotes, Doncaster
South Yorkshire DN11 8EW ENGLAND
t. +44 (0) 1302 711056

AMBEC | CBI | Fleetwood | Goldco | Nigrelli | Streamfeeder | SWF | Thiele | Tisma