



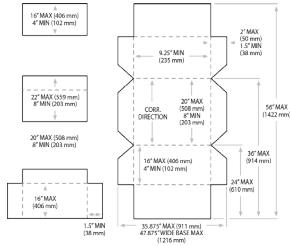
## BF 400V Bliss-Matic Bliss Case Former (*SWF Series*)



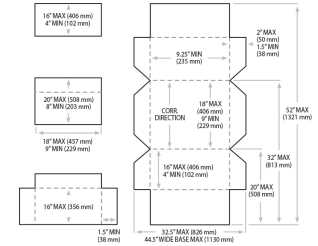
BW Integrated Systems' **SWF Series** bliss and tray formers dates back to the 1940's. With an install base of more than 5,000 machines worldwide, this versatile equipment forms hundreds of different styles of tray and bliss cases. Featuring a small footprint, these ruggedly built machines require little floor space and are easily moved on their casters, or by fork lift to accommodate location changes as necessary. With mechanical simplicity and durability as a primary focus, long life cycles are common among our installations.

# BF 400V Bliss-Matic Bliss Case Former (SWF Series)

Standard and Wide Base Models



Kwik-Change Model



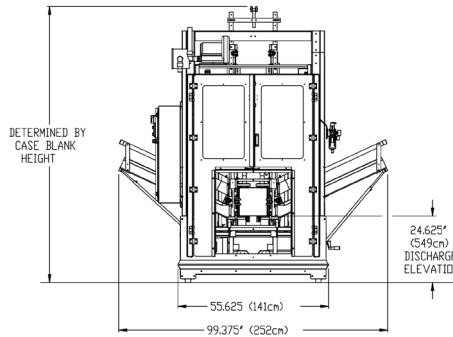
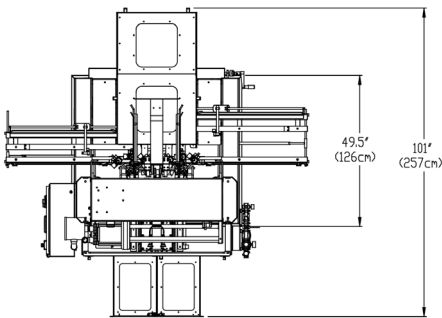
Through the use of various material combinations, bliss boxes can have a high strength-to-weight ratio. Standard machine range dimensions are shown.

With our extensive experience, BW Integrated Systems can work with you and your corrugated material supplier to create the best solution for you.

## Optional Features:

- High capacity hoppers fit various production needs
- Kwik-change features reduce changeover time
- Various glue systems - pressurized, mechanical, cold
- Large capacity glue systems to reduce filling intervals
- Automatic HSC lidding attachment inserts formed tray into HSC cover
- Servo-driven mandrel allows intermittent folding sequence

Contact our experienced sales teams today for a comprehensive review of your application(s) and to see how our BF 400V Bliss-Matic Case Former can benefit your company.



## Features

- Up to 35 trays / min (depending on size and style)
- Small footprint
- Portable
- Forms hundreds of tray designs
- Rugged, 24/7 construction
- Simple operator interface
- PLC controls
- Polycarbonate interlocked guard package
- Thousands of installations worldwide
- Backed by a world-class service team

## Available Options

- Operator and material staging platform
- Corrosion resistant packages
- Automatic stacking system for trays
- Roll-over mechanism to create display windows
- Discharge conveyors

All sales are subject to our prevailing terms and conditions. Illustrations and specifications are subject to change without notice. Machines shown without guards are for illustrative purposes only. Guards are supplied and must be in place before operation.